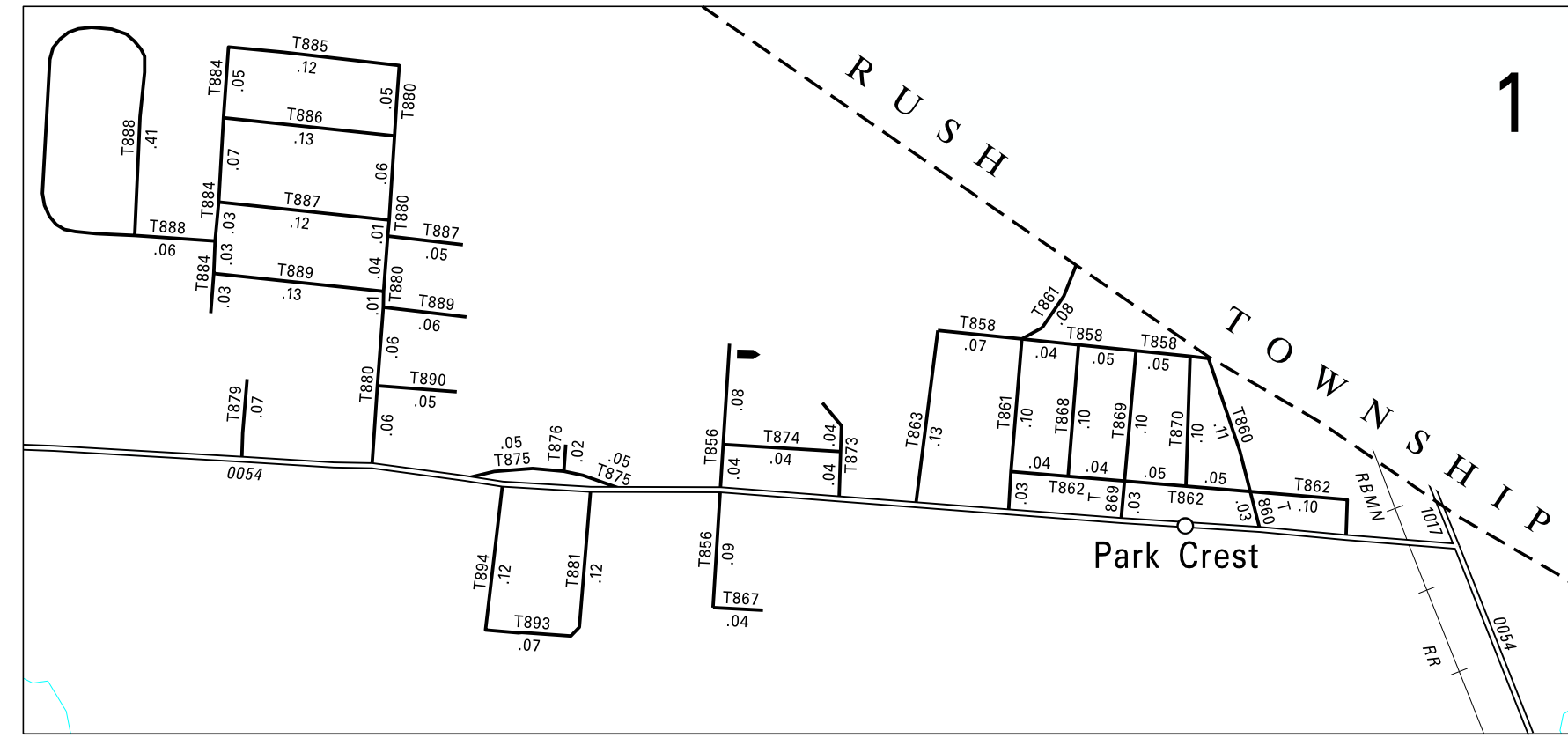


**LEGEND**

- LIMITED ACCESS HIGHWAY
- STATE ROUTE AND NUMBER
- STATE MAINTAINED BRIDGE ON TOWNSHIP ROAD
- TOWNSHIP ROAD, NUMBER AND SEGMENT LENGTH IN MILES
- IMPASSABLE TOWNSHIP ROAD
- TURNBACK TOWNSHIP ROAD
- OTHER ROAD
- RAILROAD (IN SERVICE)
- RAILROAD ABANDONED (TRACK RETAINED)
- STATE BOUNDARY
- COUNTY BOUNDARY
- TOWNSHIP BOUNDARY
- CITY OR BOROUGH BOUNDARY
- MUNICIPAL BUILDING
- SPLIT MILEAGE BETWEEN MUNICIPALITIES

- 380 HILLSIDE DR
- 479 OLD TEAM RD
- 483 LOCUST LAKE RD
- 490 BACK RD
- 491 CHEE ST
- 492 PEAR ST
- 493 BALL DIAMOND RD
- 494 DIAMOND AV
- 497 CHURCH ST
- 499 FRONT RD
- 500 RIDGE RD
- 771 FIR ST
- 772 ORCHARD RD
- 856 FIFTH AV
- 857 NOLANIA RD
- 858 FOREST AV
- 860 MAPLE ST
- 861 ELM AV
- 862 LAKEWOOD AV
- 863 APPLE ST
- 864 CORODUS RD
- 865 HAMILTON ST
- 866 SHERWOOD DR
- 867 CHESTNUT ST
- 868 BIRCH AV
- 869 SPRUCE AV
- 870 DIVISION ST
- 871 CEDAR ST
- 872 SCHOOL ST
- 873 WALNUT ST
- 874 CHERRY ST
- 875 SHERRON DR
- 876 NO NAME
- 877 WILLIAMS ST
- 878 HARTUNG LA
- 879 BERKLEY RD
- 880 MANSURE RD
- 881 FOURTH AV
- 882 PLANTATION DR
- 883 SOUTH SKYLINE DR
- 884 CATHERINE ST
- 885 OAK AV
- 886 WOOD AV
- 887 SHERRIE AV
- 888 MEADOW VIEW DR
- 889 WILL AV
- 890 LAKEWOOD AV
- 891 STATE RD
- 892 CITY LINE AV
- 893 PINE ST
- 894 THIRD AV
- 895 CIRCLE DR
- 897 CREST ST
- 898 SUNSET RD

(CREATED BY JEM 7-9-01) (REVISED: 10-19-20)



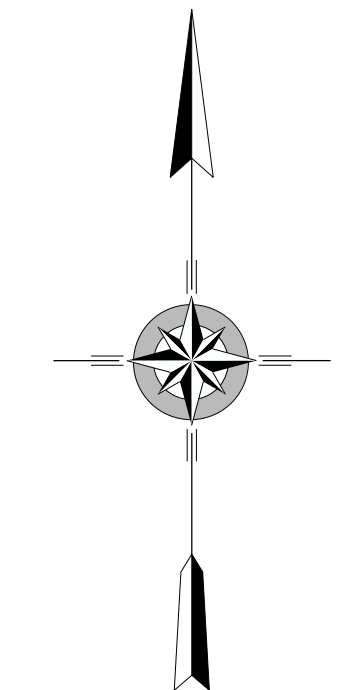
3:1

TOTAL MILES	
Township Road System	24.59*
State Highway System	15.75
<b>Total</b>	<b>40.34</b>

\* Includes ACT 32 Turnback Mileage of 3.91

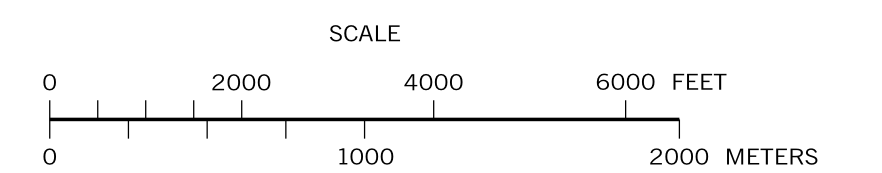
WEST MAHANOY TOWNSHIP  
NEW CASTLE TOWNSHIP  
BLYTHE

COPIES OF THIS MAP ARE AVAILABLE AT NOMINAL COST  
CONTACT:  
PENNSYLVANIA DEPARTMENT OF TRANSPORTATION  
SALES STORE  
P.O. BOX 3451  
HARRISBURG, PENNSYLVANIA 17105-3451  
TELEPHONE: (717)787-6746



**RYAN**  
**SECOND CLASS TOWNSHIP MAP**  
**SCHUYLKILL COUNTY**

PREPARED BY THE  
PENNSYLVANIA DEPARTMENT OF TRANSPORTATION  
BUREAU OF PLANNING AND RESEARCH  
GEOGRAPHIC INFORMATION DIVISION  
IN COOPERATION WITH THE  
U.S. DEPARTMENT OF TRANSPORTATION  
FEDERAL HIGHWAY ADMINISTRATION  
MUNICIPAL CODE 53 226  
THIS MAP IS PUBLISHED AS A SUPPLEMENTAL  
DOCUMENTATION OF LIQUID FUELS TAX FUND MILEAGES  
REVISED PER FORM 990 DATED 11-9-09



TYPE 5 MAP RYAN TOWNSHIP SCHUYLKILL COUNTY PENNSYLVANIA